

Specifications:

The Structural Reinforcement System For This Tank Has Been Designed In Accordance With ACI 318-05, ACI350-05 And ACI315-05 For An AASHTO HS-20 Truck Loading With The Following Criteria:

- Maximum Soil Overburden Depth Is 8 Feet
- Assumed Cohesionless Soil Unit Weight Of 110 Pounds Per Cubit Foot
- Assumed Soil Internal Friction Angle of 30 Degrees
- Ground Water Elevation Assumed At Grade
- Hydrostatic Uplift Resistance Provided By Installer

Concrete:

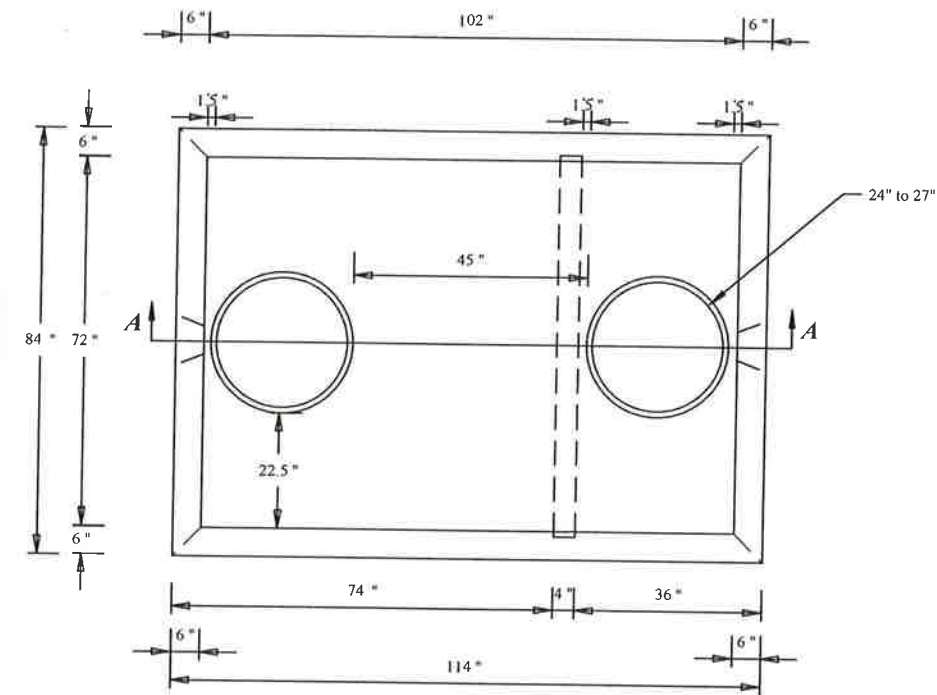
- Shall Be From An Approved Supplier With A Verified Mix Design With A Minimum 4,000 PSI Compression Strength At 28 Days
- Concrete Shall Be Batched, Mixed And Tested In Accordance With ASTM C-94-07 And Other Referenced ASTM Test Procedures

Steel:

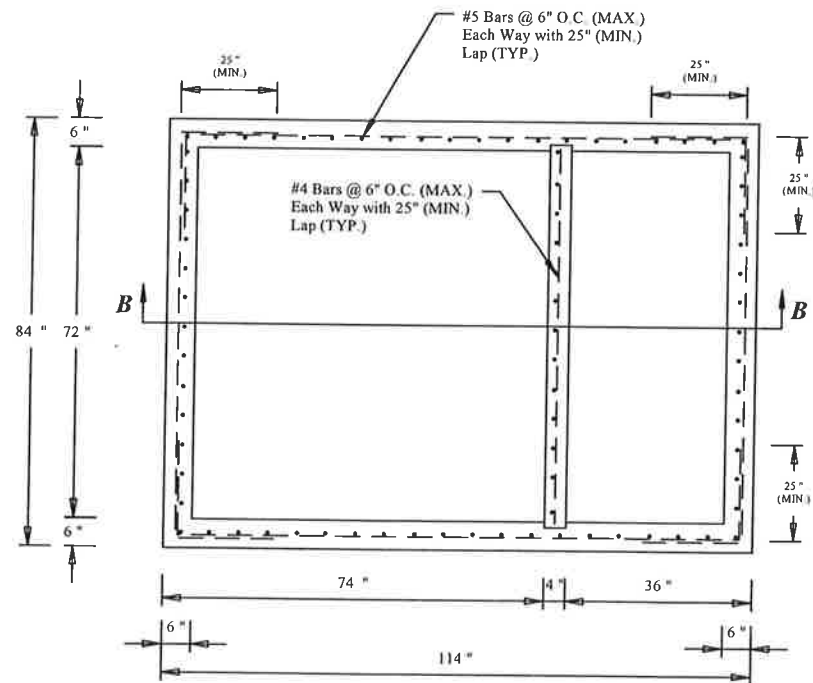
- Shall Be Minimum ASTM A615 Grade 60 Deformed Bars (60,000PSI Yield)
- Steel Shall Be Free From Oil, Scale And Corrosion And Placed In Accordance with The Typical Bending Diagram And Placing Details Of ACI Standards And Specifications
- Provide 2" Minimum Cover Over All Bars
- Where Necessary, Bend Bars To Provide Minimum 1" Clearance Around Rubber Booted Holes

Additional Notes:

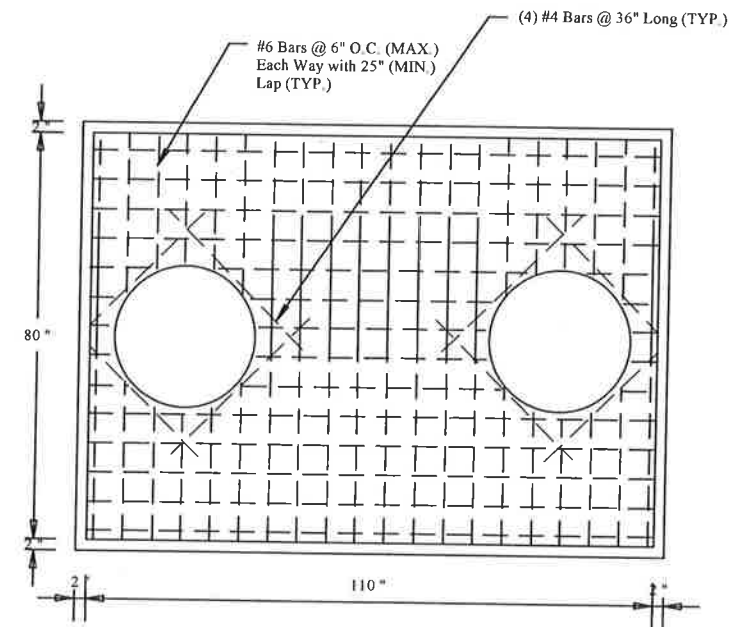
- Sealant Used At Concrete Joint Shall Be Conseal CS102 Butyl Rubber Sealant And Shall Be Installed In Accordance with The Manufacturers Specifications
- Manhole Shall Be U.S. Foundry & Mfg. Corporation Ring Model 170 with Type "E" Cover Labeled "Grease"



Plan View



Tank Plan View



Lip Plan View

Project For:
 A & L Septic Tanks
 9304 E. Colonial Dr.
 Orlando, FL

Davis & Cleaton Engineering
 260 Wekiva Springs Road
 Longwood, FL 32779
 PE # 35816 PH: (407) 539-2353
 FAX (407) 539-2334

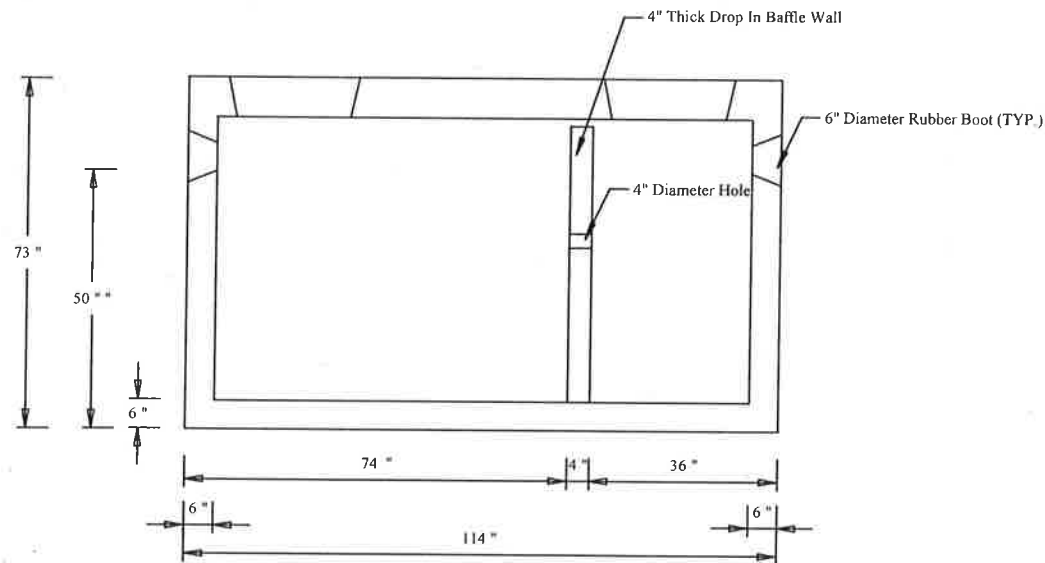
[Handwritten signature]

Job Site Information:
 Custom 1250
 Gallon Tank

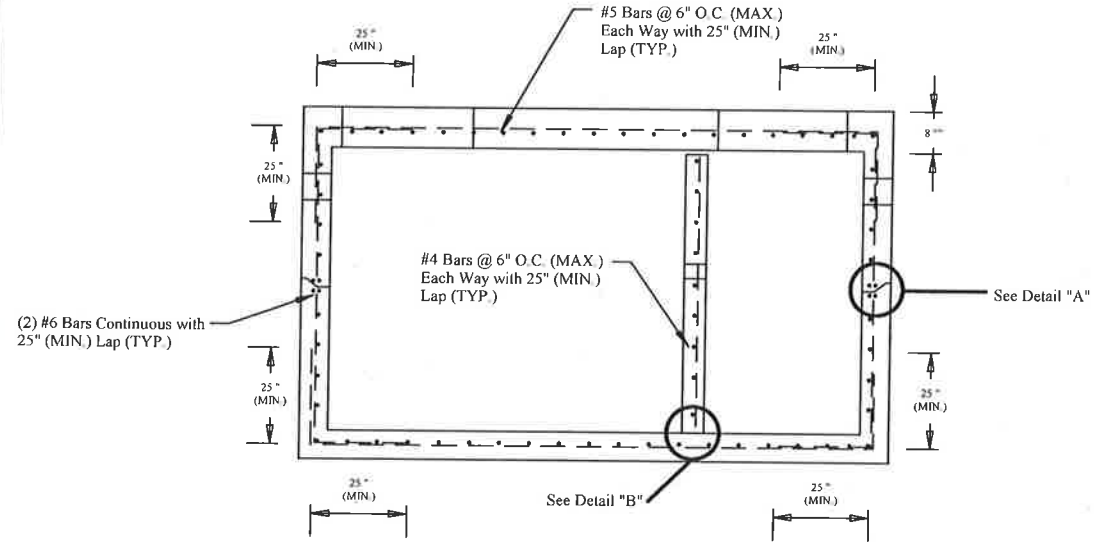
Date:
 3/17/17

PAGE:

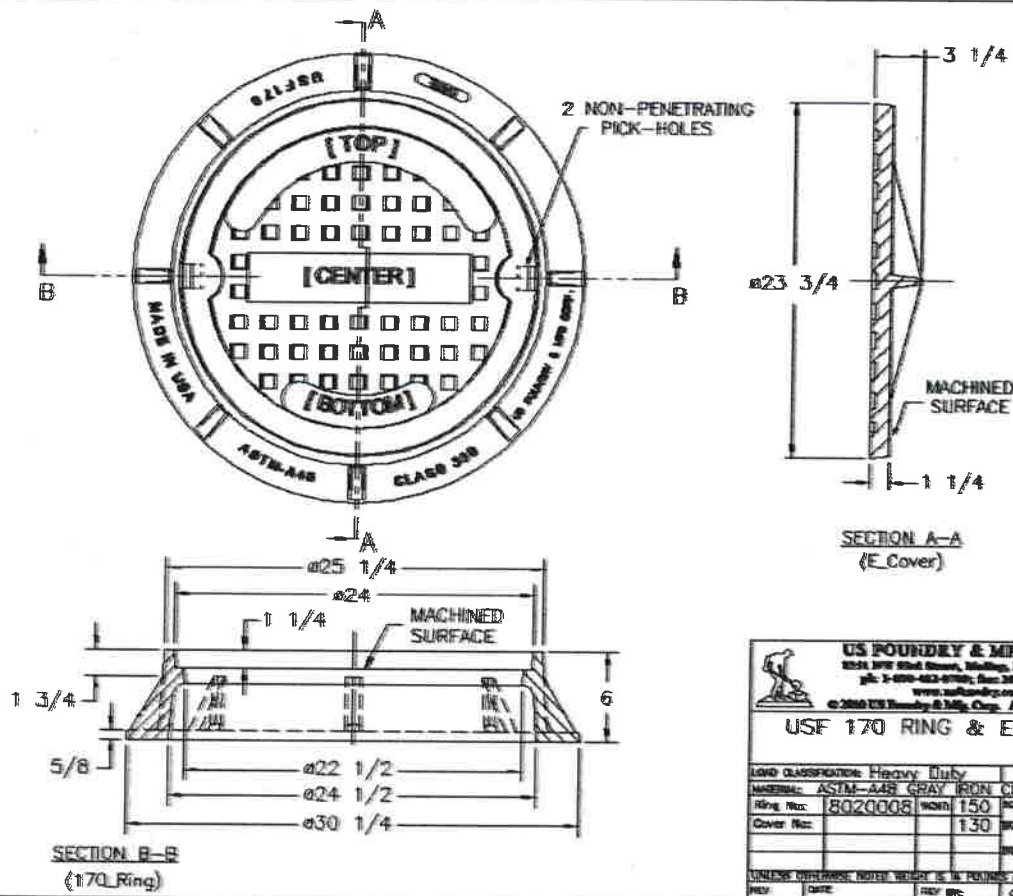
1 of 2



Section A-A



Section B-B



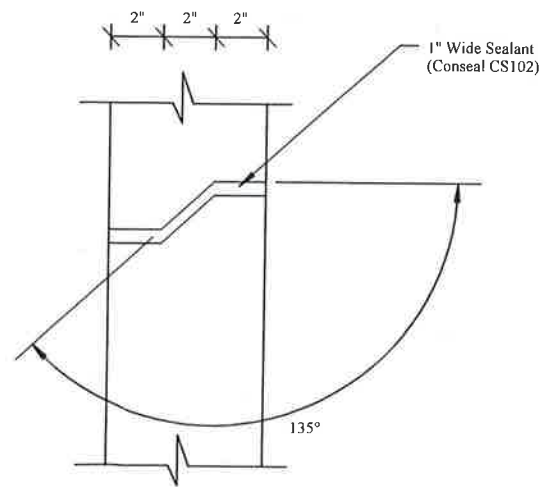
**SECTION A-A
(E-Cover)**

**SECTION B-B
(170 Ring)**

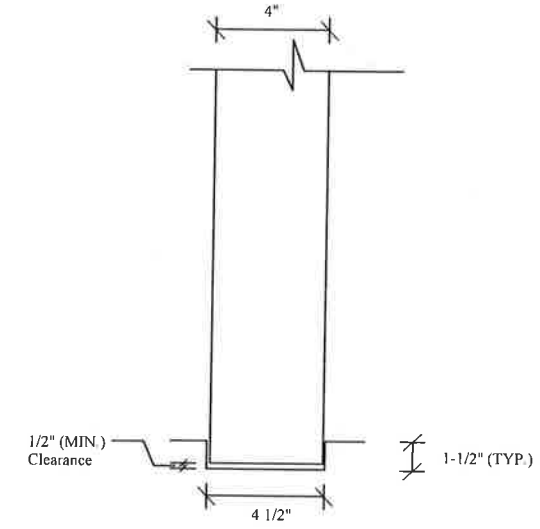
US FOUNDRY & MFG. CORP.
 2525 NW 24th Street, Maitland, FL 32751-2825
 Tel: 1-800-423-8782; Fax: 352-827-9422
 www.usfoundry.com
 © 2000 US Foundry & Mfg. Corp. All Rights Reserved

USF 170 RING & E COVER

LOAD CLASSIFICATION:	Heavy Duty
MATERIAL:	ASTM-A48 GRAY IRON CLASS 35B
Ring No.:	8020008
WOM:	150
SIZE:	1/8"-1"
Cover No.:	130
SIZE:	DBB
REV:	DATE:
REV:	DATE:



Detail "A"



Detail "B"

A Project For:
 A & L Septic Tanks
 9304 E. Colonial Dr.
 Orlando, FL

Davis & Cleaton Engineering
 260 Wekiva Springs Road
 Longwood, FL 32779
 PE # 35816 PH. (407) 539-2353
 FAX (407) 539-2334

[Handwritten Signature]

Job Site Information:
 Custom 1250
 Gallon Tank

Date:
 3/17/17

PAGE: