

Specifications:
 The Structural Reinforcement System For This Tank Has Been Designed In Accordance With ACI 318-05, ACI350-05 And ACI315-05 For An AASHTO HS-20 Truck Loading With The Following Criteria:

- Maximum Soil Overburden Depth Is 8 Feet
- Assumed Cohesionless Soil Unit Weight Of 110 Pounds Per Cubit Foot
- Assumed Soil Internal Friction Angle of 30 Degrees
- Ground Water Elevation Assumed At Grade
- Hydrostatic Uplift Resistance Provided By Installer

Concrete:

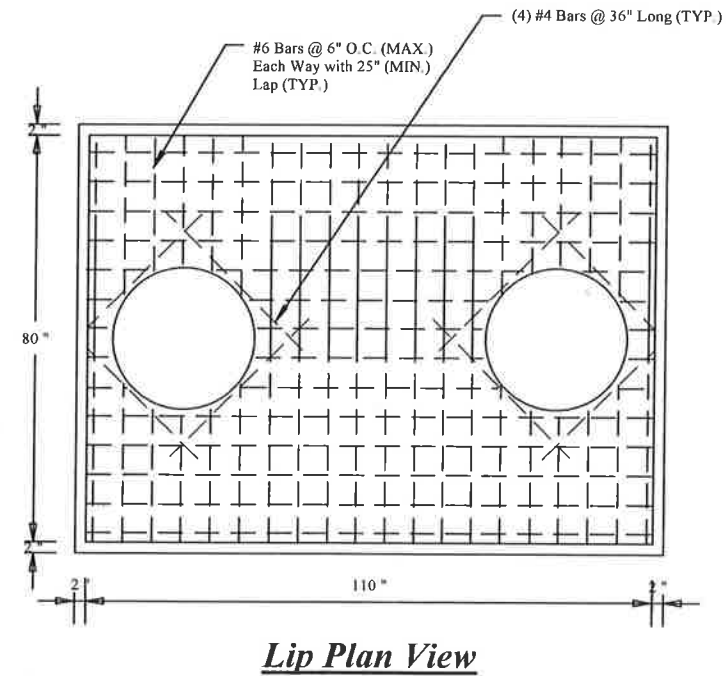
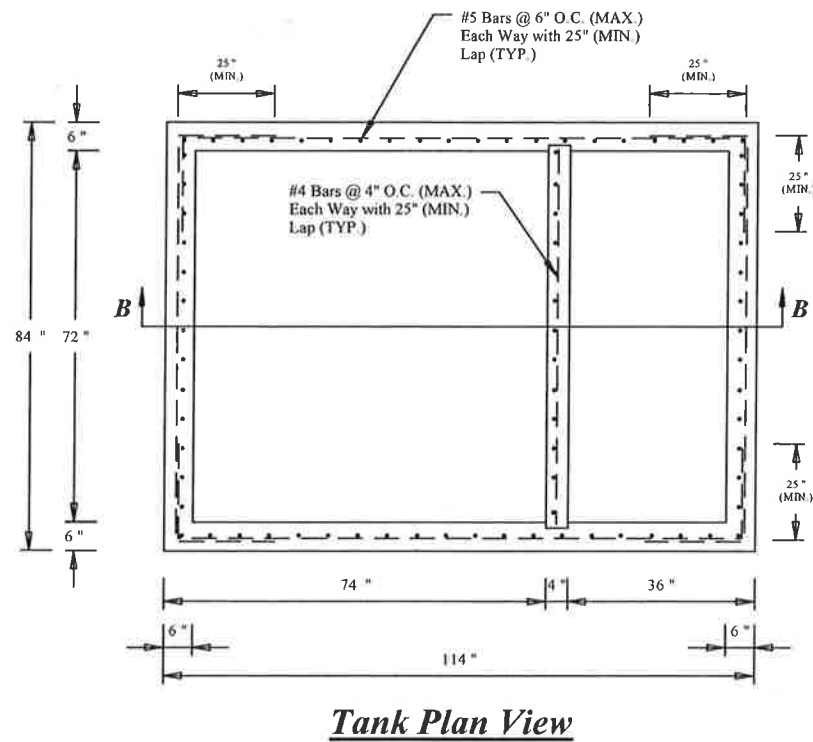
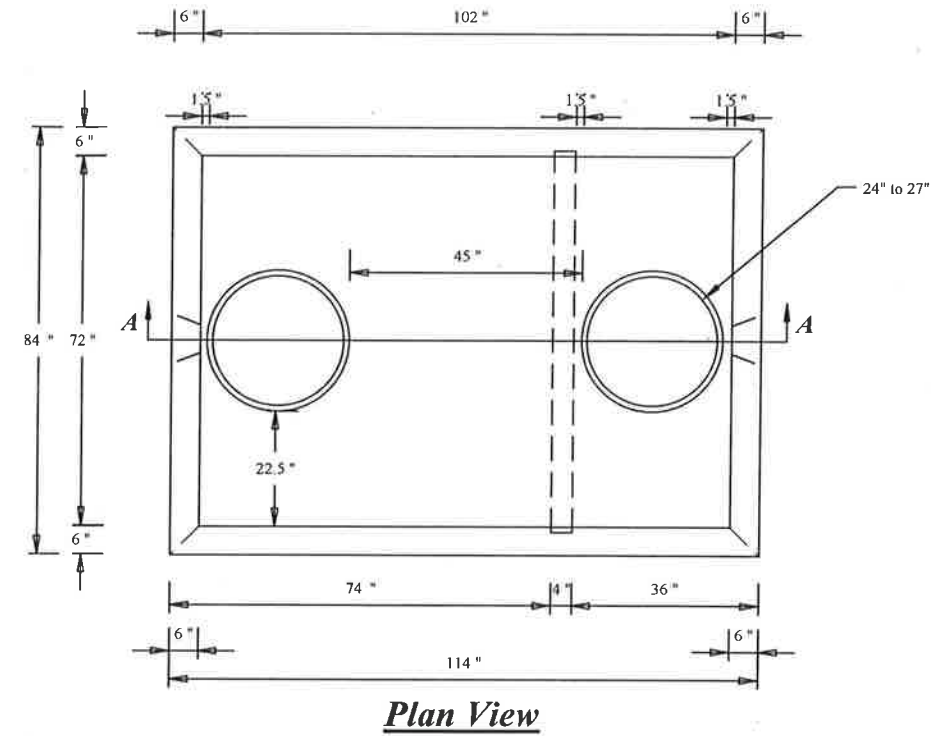
- Shall Be From An Approved Supplier With A Verified Mix Design With A Minimum 4,000 PSI Compression Strength At 28 Days
- Concrete Shall Be Batched, Mixed And Tested In Accordance With ASTM C-94-07 And Other Referenced ASTM Test Procedures

Steel:

- Shall Be Minimum ASTM A615 Grade 60 Deformed Bars (60,000PSI Yield)
- Steel Shall Be Free From Oil, Scale And Corrosion And Placed In Accordance with The Typical Bending Diagram And Placing Details Of ACI Standards And Specifications
- Provide 2" Minimum Cover Over All Bars
- Where Necessary, Bend Bars To Provide Minimum 1" Clearance Around Rubber Booted Holes

Additional Notes:

- Sealant Used At Concrete Joint Shall Be Conseal CS102 Butyl Rubber Sealant And Shall Be Installed In Accordance with The Manufacturers Specifications
- Manhole Shall Be U.S. Foundry & Mfg. Corporation Ring Model 170 with Type "E" Cover Labeled "Grease"



A Project For:

A & L Septic Tanks
 9304 E. Colonial Dr.
 Orlando, FL

Davis & Cleaton Engineering
 260 Wekiva Springs Road
 Longwood, FL 32779

PE # 35816 PH. (407) 539-2353
 FAX (407) 539-2334

Job Site Information:

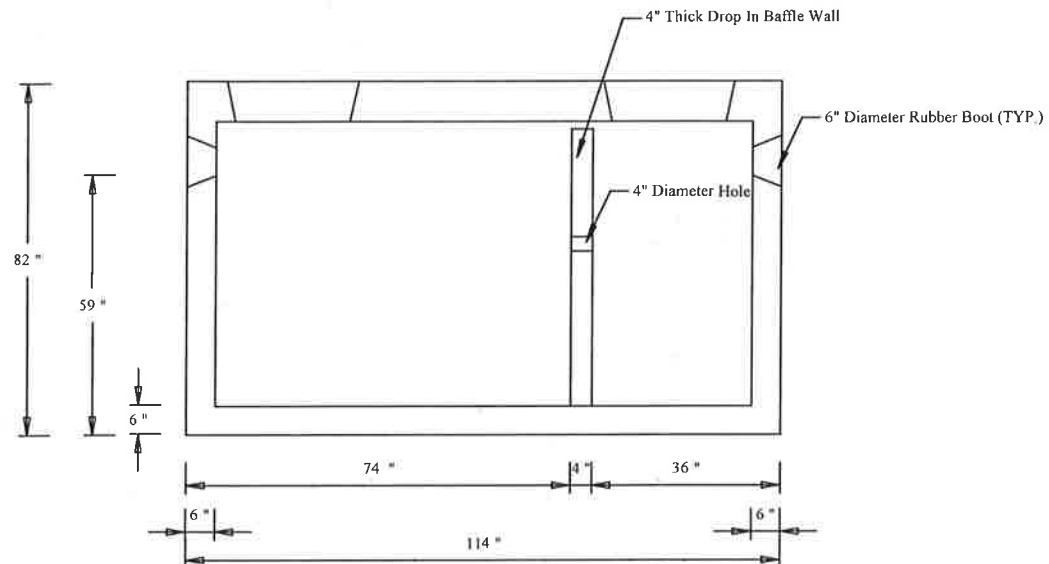
Custom 1500
 Gallon Tank

Date:

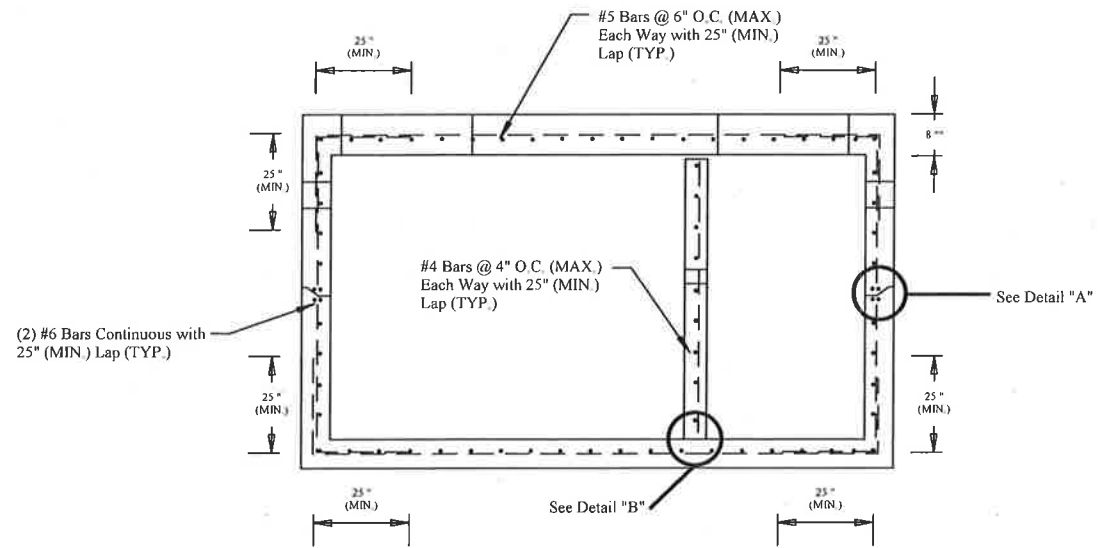
3/17/17

PAGE:

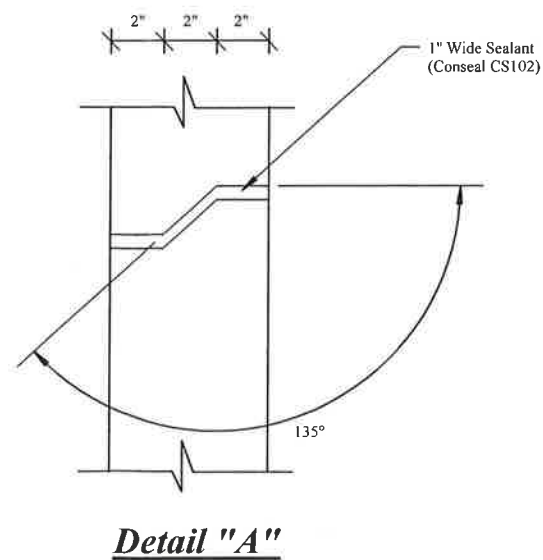
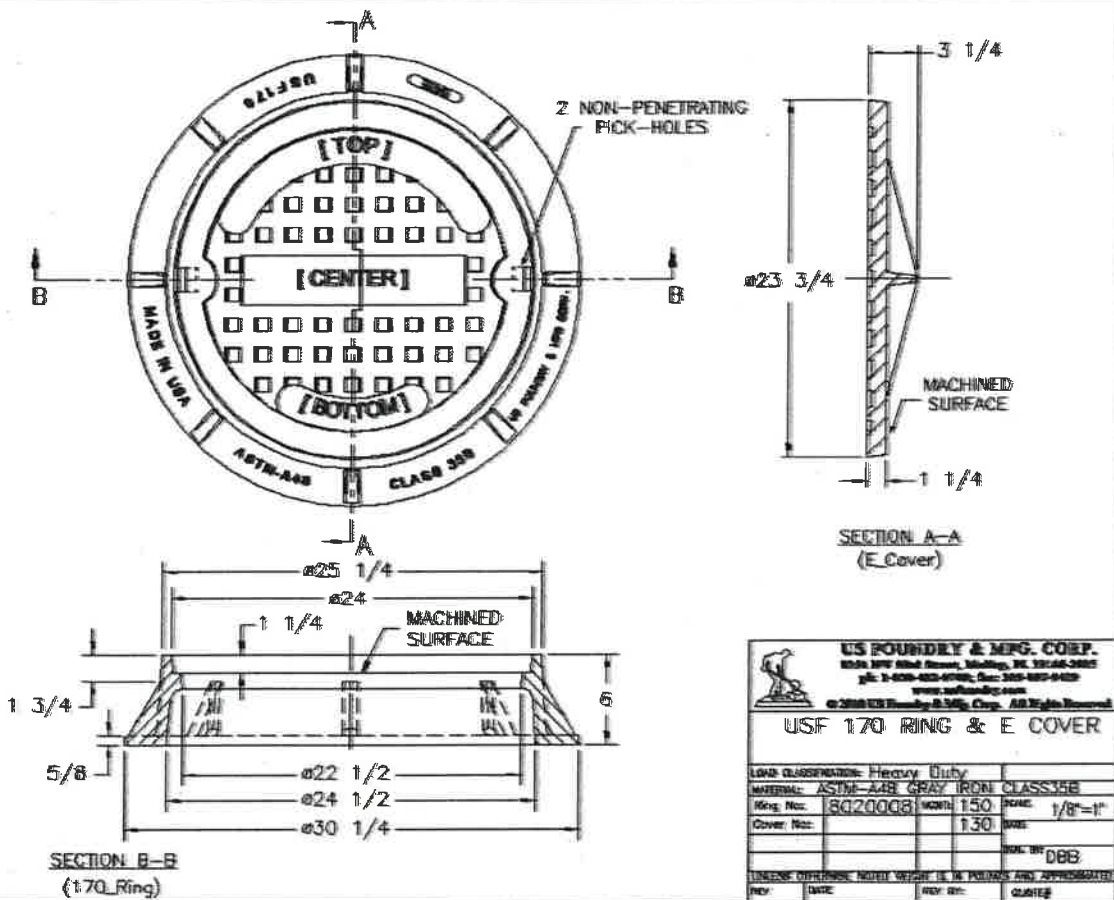
1 of 2



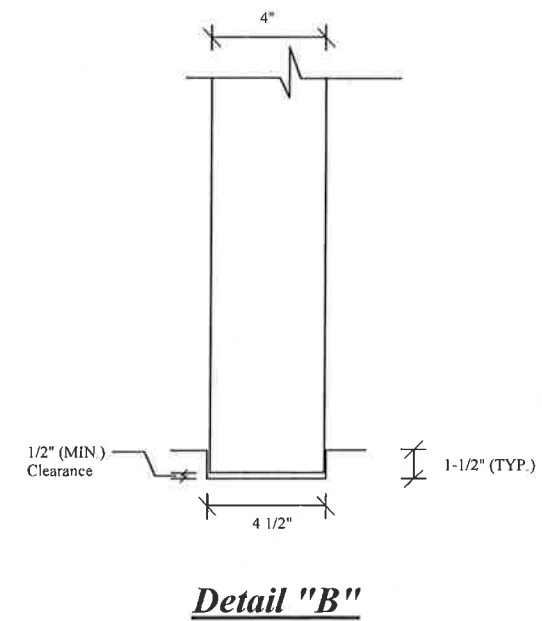
Section A-A



Section B-B



Detail "A"



Detail "B"

A Project For:
A & L Septic Tanks
 9304 E. Colonial Dr.
 Orlando, FL

Davis & Cleaton Engineering
 260 Wekiva Springs Road
 Longwood, FL 32779
 PE # 35816 PH: (407) 539-2353
 FAX (407) 539-2334

Job Site Information:
**Custom 1500
 Gallon Tank**

Date:
 3/17/17

PAGE:

2 of 2